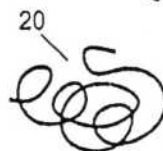
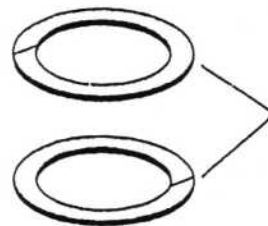
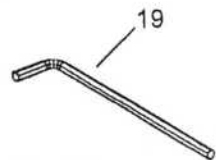
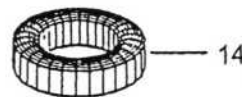
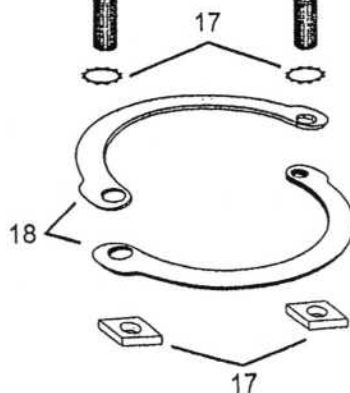
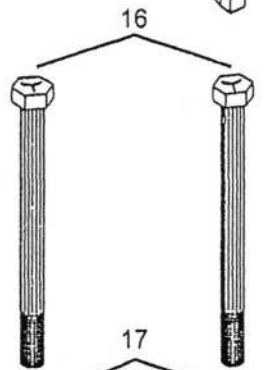
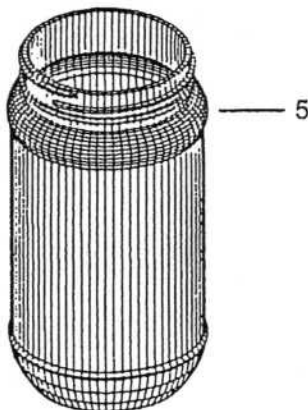
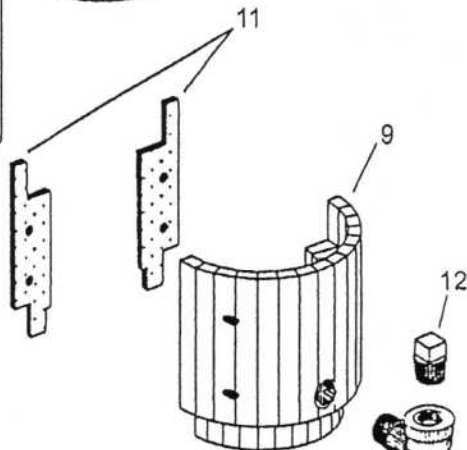
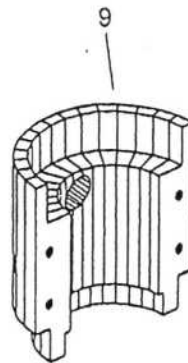
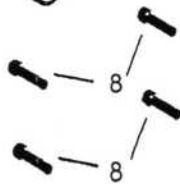
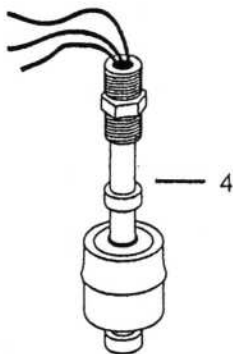
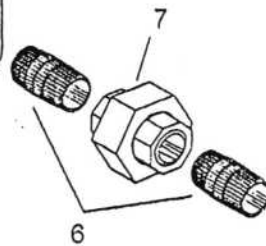
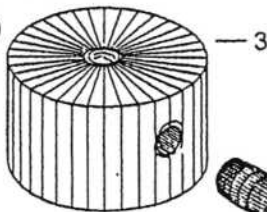
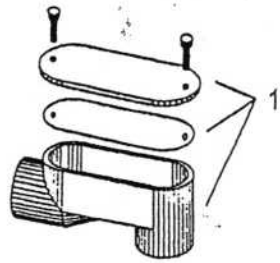


STUFFING BOX LEAK DETECTOR SCHEMATIC AND PARTS LIST



1. ELECTRICAL CONNECTION BOX
2. VENT
3. RESERVOIR HOLDER
4. LIQUID LEVEL SWITCH, SPDT
5. CLEAR RESERVOIR
6. 3/4" CLS NIPPLE (2)
7. 3/4" UNION
8. 1/4-20 CAP SCREWS (4)
9. ADAPTER HOUSING
10. PACKING CONE
11. ADAPTER SIDE SEALS (2)
12. LUBRICATING OIL FILL PLUG
13. LUBRICATING OIL FILLER
14. CROWN RING
15. LOWER ADAPTER SEALS (2)
16. 3/8" x 6" BOLTS (2)
17. LOCK WASHERS (2), SQUARE NUTS (2)
18. BOLT RETAINERS (2)
19. 3/16" ALLEN WRENCH
20. STRING

**Anti
Pollution
Technologies Inc.**

1135 Industrial Drive • Yukon, OK 73099 • (405) 354-8438 • www.antipollutiontech.com

Patent No. 5,148,699 "Pollution Solutions"