

SERIES #6000



The Series #6000 are Leak Detecting units designed to capture fluids leaking past the packing members of the stuffing box. The leak detector has a float switch that will shut down pumping unit when reservoir is full.



**Stuffing Box
Containment**



**Visual
Inspection**



**Safety
Shut-off Switch**



Tech Specs

Pressure Rating:	1500 PSI
Switch:	Opened or Closed Circuit Gas or Electric Applications
Switch Rating:	120 VDC, 60 Hz, 3A (max) Class I, Division I, Groups A, B, C, D; Class II, Division I, Groups E, F, G



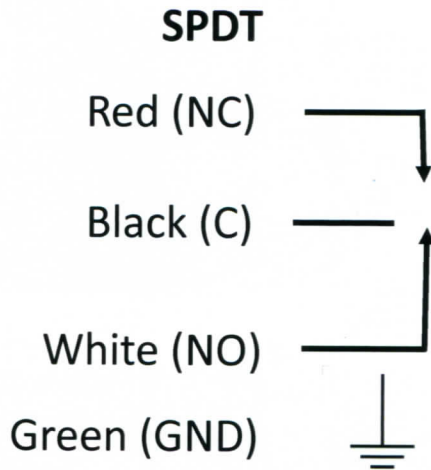
Features

- Rigid Setup that **replaces** Upper Gland and Top Cap of Stuffing Box
 - Grease Zerk for lubricating "V" style packing.
- Fits Polish Rod/Liner Sizes 1"-1 3/4"
- Fits any "Classic" style stuffing box
- Single ACME Threaded Cap

SERIES #6000

STUFFING BOX LEAK DETECTOR SCHEMATIC AND PARTS LIST

Wiring Schematic



Switch Features

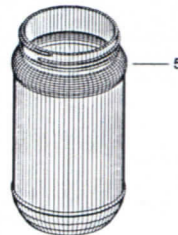
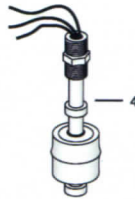
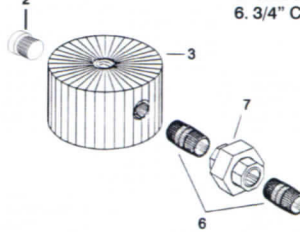
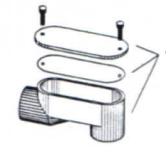
- UL certified component
- Hermetically sealed contacts
- Switch materials are lead free and RoHS compliant
- Solid Tungsten bar and plate
- SPDT switch configuration

Ambient Conditions

Ambient temperature (storage)	-40 to +125 Celsius
Ambient temperature (operation)	-25 to +109 Celsius

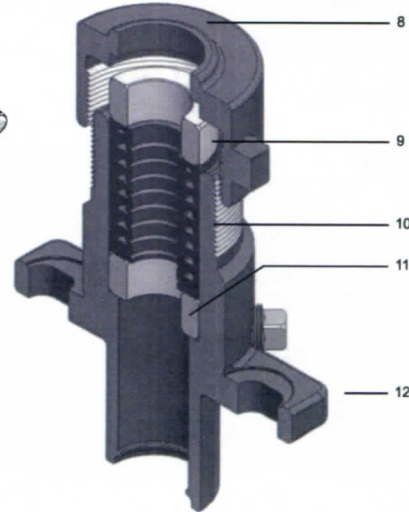
Electrical Data

Watts Max.	100
Voltage Switching VDC max.	120
Voltage Breakdown VDC min.	150
Current Switching Amp max.	3
Current Carry Amp max.	3.6



1. ELECTRICAL CONNECTION BOX
2. VENT
3. RESERVOIR HOLDER
4. LIQUID LEVEL SWITCH, SPDT
5. CLEAR RESERVOIR
6. 3/4" CLS NIPPLE (2)

7. 3/4" UNION
8. HDPlug CAP
9. HDPlug UPPER FOLLOWER
10. CHEVRON STYLE PACKING
11. HDPlug LOWER FOLLOWER
12. HDPlug BODY



APT
Anti-Pollution Technology

1135 Industrial Drive • Yukon, OK 73099
(405) 354-8438 • www.antipollutiontech.com
Patent No. 5,148,699 "Pollution Solutions"